

# Effect 5

Two-way passive surround system

## features

- ▶ Two-way passive design
- ▶ THX™ approved
- ▶ 100° x 60° HF horn
- ▶ Simple to install

## applications

- ▶ Powerful surround sound applications
- ▶ For large cinemas

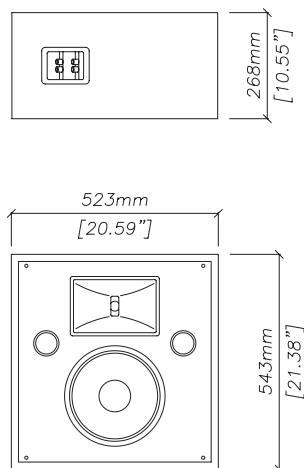


The Effect 5 is a two-way passive cinema surround system, designed to produce the wide dynamic range and extended frequency response characteristics of digital sound formats. It is suitable for both medium and large scale cinema applications.

## technical specifications

TYPE	Two-way passive, reflex enclosure
FREQUENCY RESPONSE (1)	75Hz-20kHz ± 3dB
LOW FREQUENCY LIMIT	-10dB @ 45Hz
DRIVERS	10" (250mm) bass-mid driver 1" (25mm) exit HF compression driver
RATED POWER (2)	150W AES, 600W peak
RECOMMENDED AMPLIFIER	100-200W into 8 ohms
SENSITIVITY (3)	95dB 1 Watt/1 metre
MAXIMUM SPL (4)	115dB continuous, 121dB peak
IMPEDANCE	8 ohms nominal
DISPERSION (-6dB)	100° horizontal, 60° vertical
CROSSOVER	2kHz passive Externally selectable flat / SMPTE/ISO 2969 X-curve
ENCLOSURE	35 litre (1.1 cu foot) particle board construction
FINISH	Black textured vinyl
PROTECTIVE GRILLE	Black acoustically transparent cloth grille
CONNECTORS	2-way binding posts
FITTINGS	4 x M4 teenuts on rear for 'keyhole' brackets 2 x keyhole plates 2 x M8 threaded inserts for wall bracket 1 x wall bracket (optional)
DIMENSIONS	(W) 523mm x (H) 543mm x (D) 287mm (W) 20.6ins x (H) 21.4ins x (D) 11.3ins
WEIGHT	16.5kg (36lbs)

## overall dimensions



EFFECT 5



approved by Lucasfilm for use in THX™ theatres.

Century Point, Halifax Road, Cressex Business Park,  
High Wycombe, Buckinghamshire HP12 3SL, England.  
Telephone: +44 (0)1494 535312 Facsimile: +44 (0)1494 438669  
E-mail: [info@martin-audio.com](mailto:info@martin-audio.com)  
All information is Copyright © 2003 Martin Audio Ltd.



[www.martin-audio.com](http://www.martin-audio.com)